



AGRICULTURAL MACHINERY

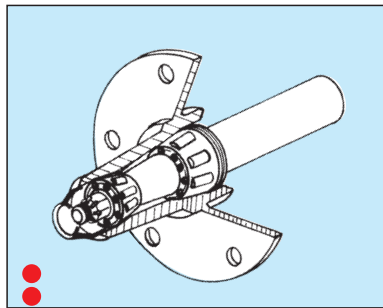
sitrex®



FW6

FW12

MOUNTED SIDE-DELIVERY RAKE

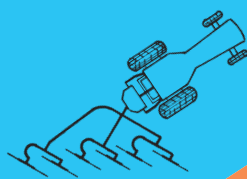


Hubs with taper roller bearings and sealed dust cover on all units.

MOUNTED SIDE-DELIVERY RAKE

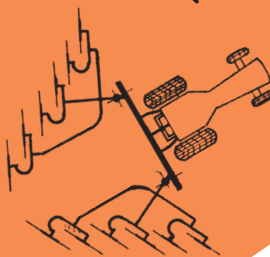
FWG6

TECHNICAL DATA:
Working width-raking 13' 6" (4,1 m)
Working width-spreading and turning 14' 5" (4,4 m)
Weight 551 lbs (250 kg.)



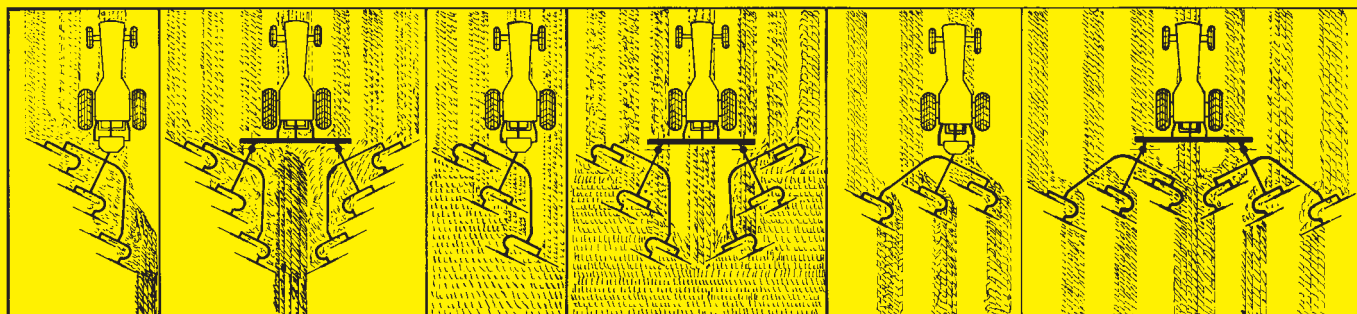
TECHNICAL DATA:
Working width-raking 28' 6" (8,7 m)
Working width-spreading and turning 32' 10" (10 m)
Weight 1366 lbs (620 kg.)

FW12



- Wheel diameter 55" (1,4 m)
- Tine number each wheel 40
- Tine diameter 0,28" (7 mm)

Performance valid for all hay rakers of our production.



Raking

Spreading

Turning

SITREX S.p.A. reserves the right to make changes or add improvements at any time without notice. The information contained herein is general in nature and is not intended for specific application purposes.