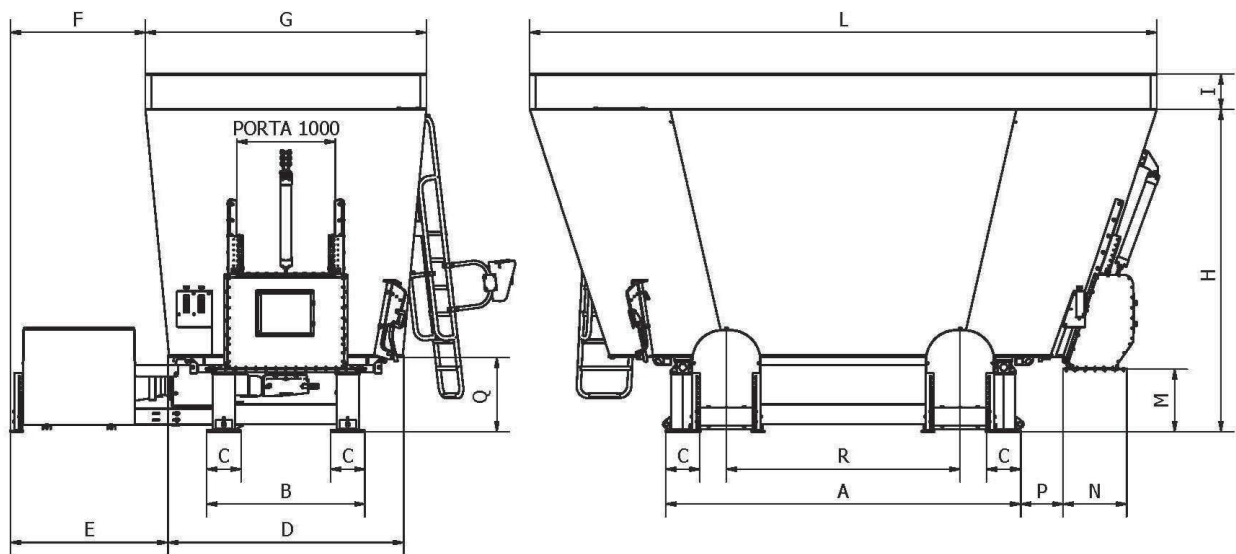


## TECHNICAL DATA STATIONARY MIXERS FOR BIOGAS

### DOUBLE AUGER MODEL



MODEL	SX-240	SX-300	SX-350	SX-400
Capacity m <sup>3</sup>	24	30	35	40
Maximum Loading Capacity Kg	8400	12000	14000	16000
Power Required Kw	95	110	120	130
Weight Kg	7900	8500	9200	9800
A	3540			
B	1576			
C	340 x 340			
D	2350			
E	1580			
F	1350			
G	2800			
H	2770	3220		
I	/	/	300	650
L	5980	6260		
M	620 / 720 / 820 / 920			
N	630			
P	420			
Q	740 / 840 / 940 / 1040			
R	2330			